

LED screen

Centralized power supply system

F3/F9 power supply are the supporting power supply system for Onumen Foldable led screen

Centralized output DC48V, support multiple power backup, high reliability

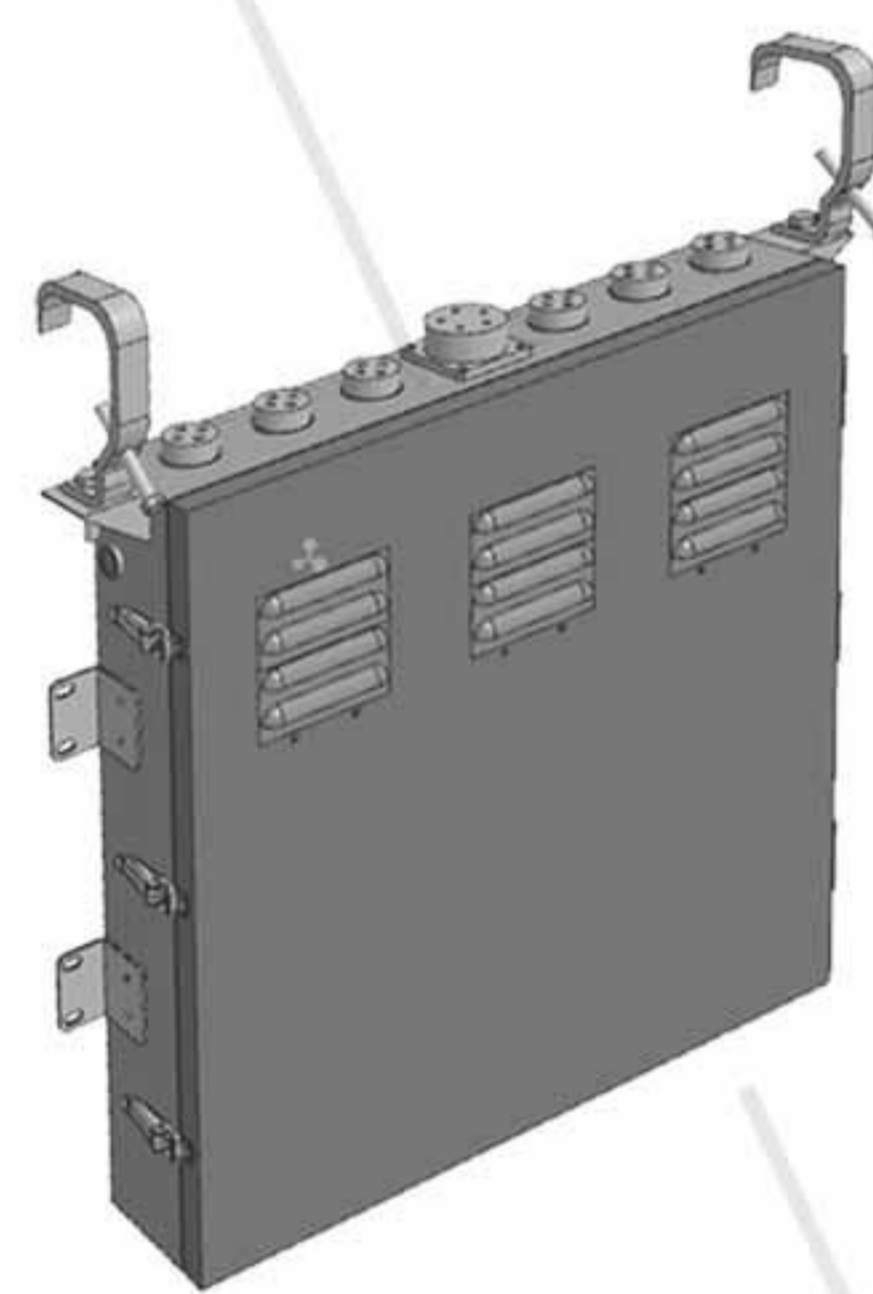
Any power supply damage will not affect the normal operation of the LED screen

Compatible with all Onumen foldable LED screens



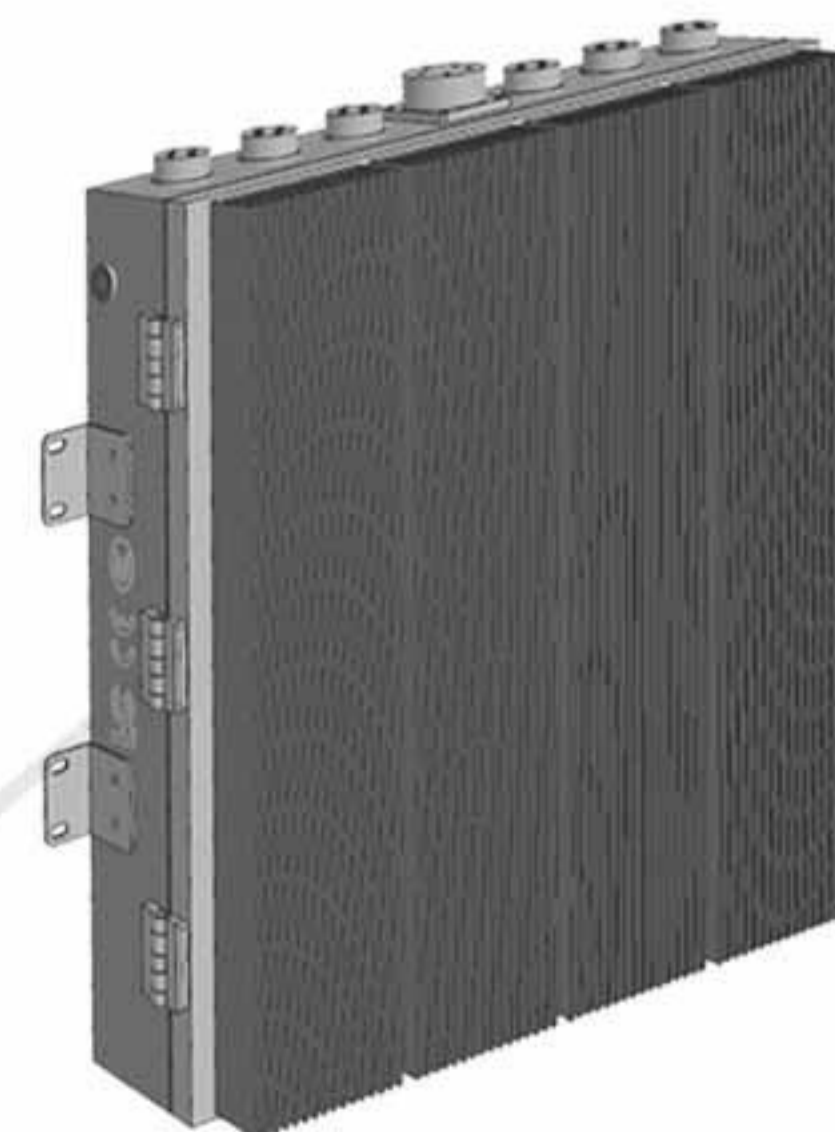
OM-F9-32K65

32.4KW, Outdoor, Smart cabinet



OM-F3-11K54

10.8KW semi-outdoor

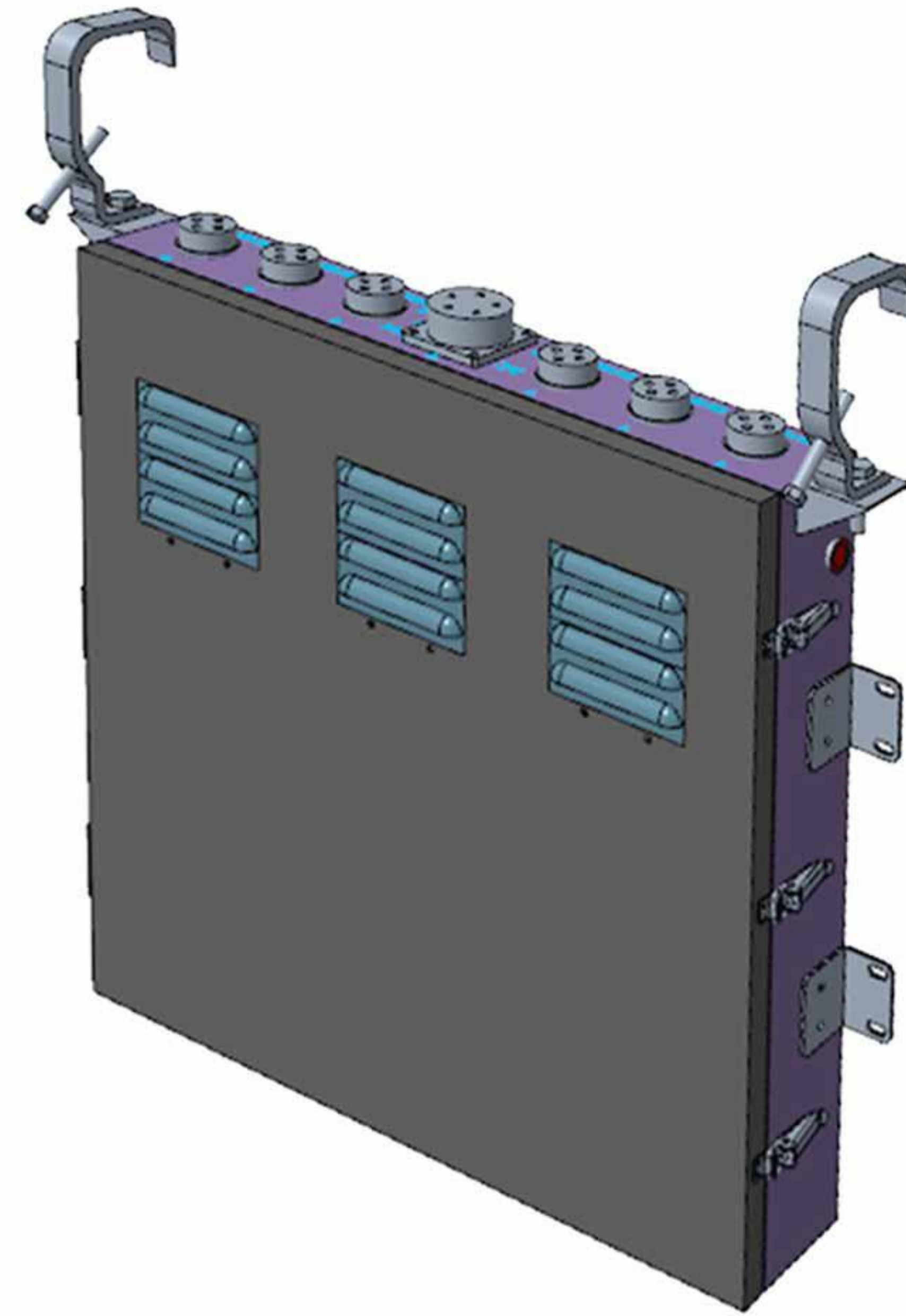
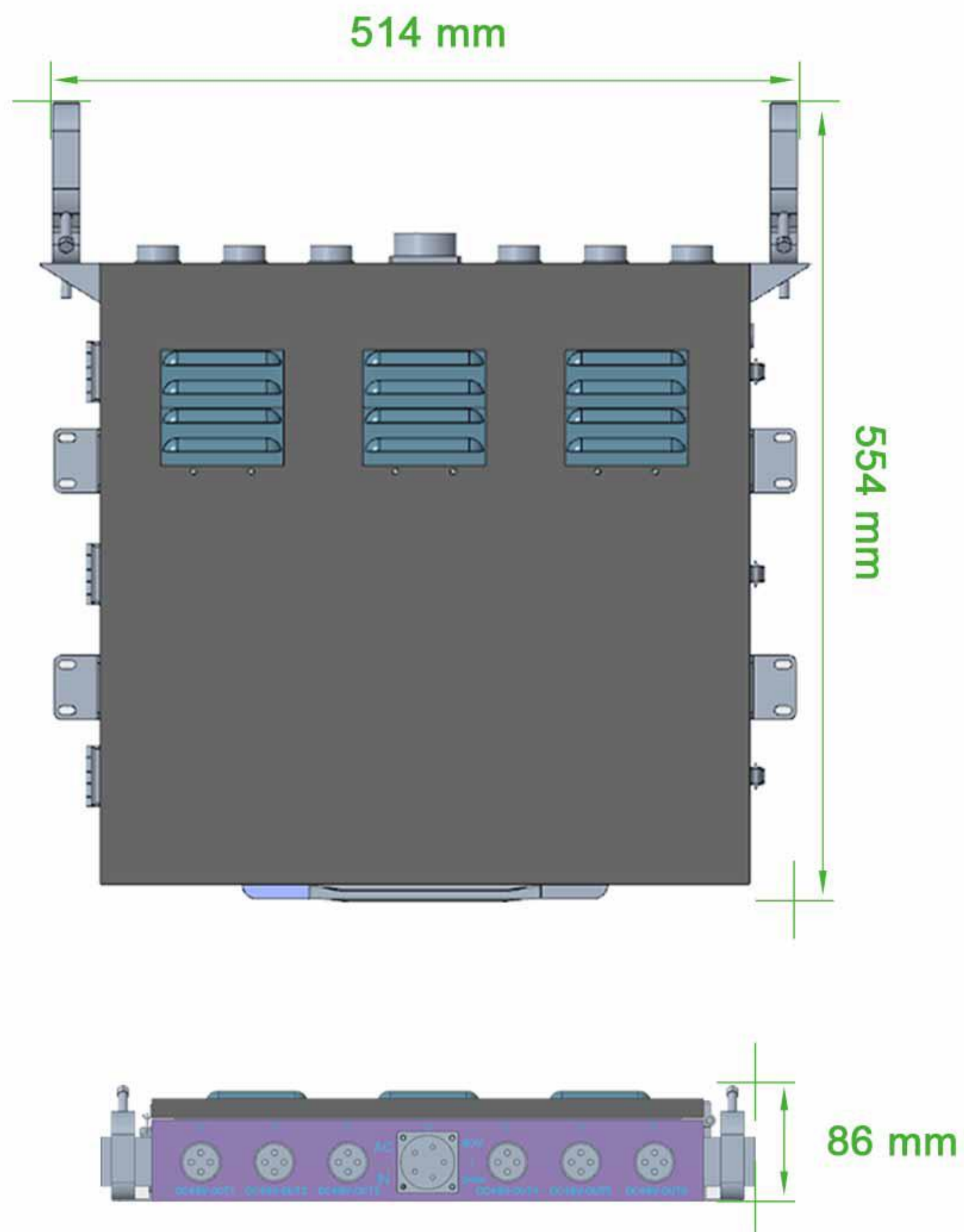


OM-F3-5K65

5.4KW Outdoor, Silent



11K54 Power box



Summarize

F3-11K54 power box are mainly used in rental and indoor LED display, Noise due to fan cooling

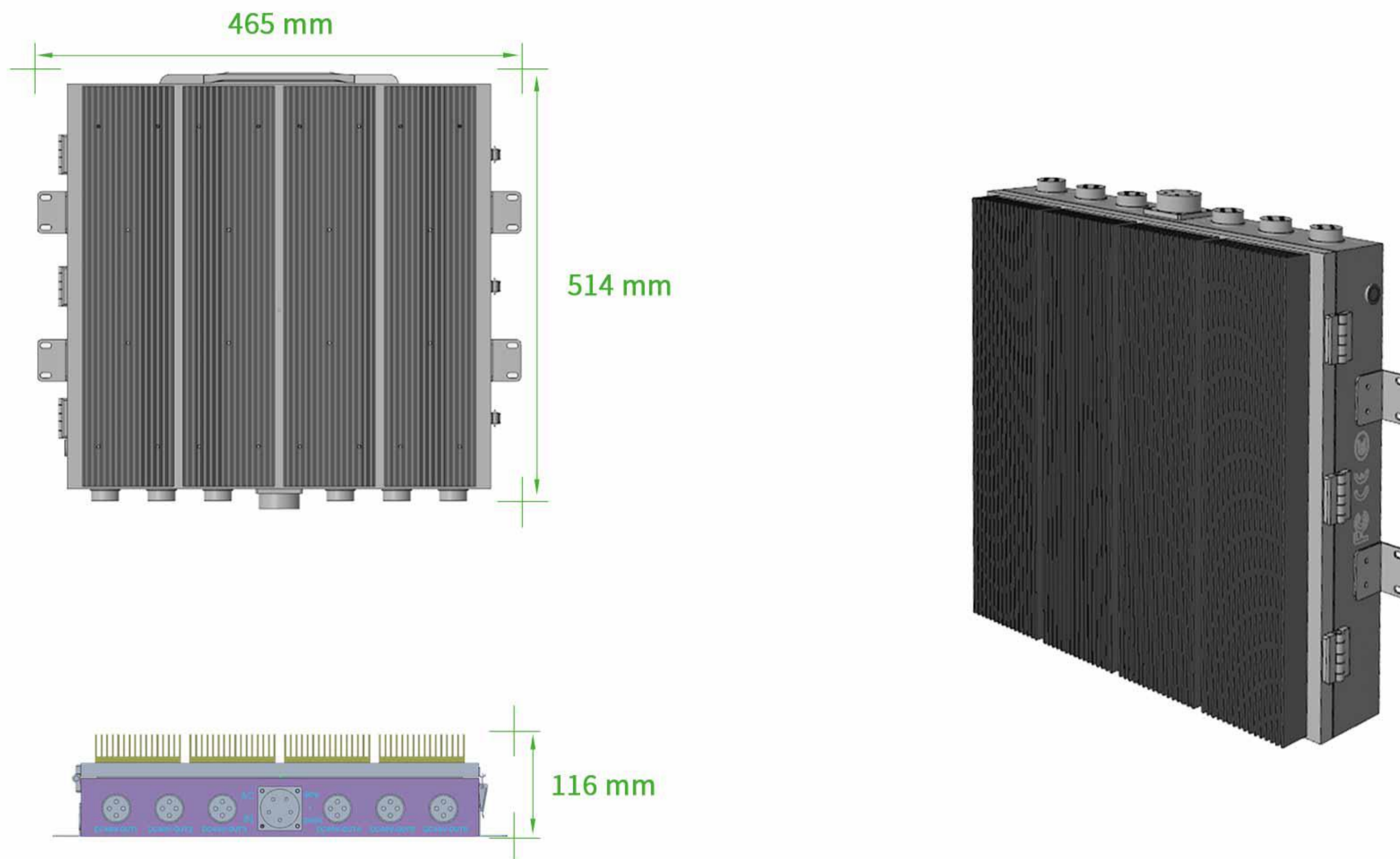
The total output power of one power box is 10.8KW

Can work outdoors

Item	Efficiency	Output Voltage	Input voltage total output power	Power Factor (PFC)
OM-F3-11K54	>95%	DC48V	AC90-130V 5.4KW AC180-230V 10.8KW	99.9%

DC48V connector output quantity:	6
Maximum output current of a single connector:	50A
Connector Recommended Output Cable Specifications:	10 mm ²
Number of built-in power modules:	3
The number of power backups for each other:	3

Size(mm)	Weight(kg)	Installation method	Noise	Cooling method	Internal power supply is dust-free	Protection level	Temperature	Humidity
554*514*86	25	Hanging/wall hanging	>db45	Fan	No	IP54	-30°C- +40°C	10-90% (non-condensing)



Summarize

F3-5K65 power box are mainly used in small-sized outdoor fixed installation, rental and indoor quiet environments

The total output power of one power box is 5.4KW

Fully sealed, relying on natural convection for heat dissipation, low noise

Long-term full outdoor or indoor silence

Item	Efficiency	Output Voltage	Input voltage total output power	Power Factor (PFC)
OM-F3-5K65	>95%	DC48V	AC90-130V 2.7KW AC180-230V 5.4KW	99.9%

DC48V connector output quantity:	6
Maximum output current of a single connector:	50A
Connector Recommended Output Cable Specifications:	10 mm ²
Number of built-in power modules:	3
The number of power backups for each other:	3

Size(mm)	Weight(kg)	Installation method	Noise	Cooling method	Internal power supply is dust-free	Protection level	Temperature	Humidity
465*514*116	30	Hanging/wall hanging	>db40	Natural convection	Yes	IP65	-30°C- +40°C	10-90% (non-condensing)



32K65 Industrial Cabinet



Summarize

The total output power is 32.4KW, which can work continuously for 5 years without power off

Automatic cold and heat isolation industrial air conditioner, no air exchange and circulation inside and outside the cabinet, dust-free inside of the cabinet.

High reliability, basically zero maintenance within 5 years, usable for 10 years

Integrated air switch, lightning protection, leakage protection, remote manual, automatic timing power-on and power-off functions

Reserve space inside the cabinet to install other equipment

No need to configure the operating room for the LED screen, no need to configure the distribution box

Long term full outdoor

Item	Efficiency	Output Voltage	Input Voltage	Total output power
OM-F9-32K65	>95%	DC48V	AC180-230V	32.4KW

DC48V air switch output quantity:	8
Maximum output current of a single circuit breaker:	100A
Recommended output cable specifications for air switch:	25 mm ²
Number of built-in power modules:	9
The number of power backups for each other:	9


Size(mm)	Weight(kg)	Remaining free space	Installation method	Noise
950*500*620	100	7U	Floor installation	>db50
1670*750*960	125	21U	Four corner pre-embedded fixing bolts	

Power Factor (PFC)	Dust-free inside the power supply	Protection Level	Temperature	Humidity
OM-F9-32K65	Yes	IP65	-30°C- +50°C	10-90% (non-condensing)





维世
ONUMEN

Onumen technology Co.,Ltd.

 +86-189-2384-8056 (Wechat, whatsapp)

 sales@onumen.com

 www.onumen.com

 4th Floor Building A3 Xiwan Zhiyuan Hangkong
Road Bao'an District Shenzhen China

